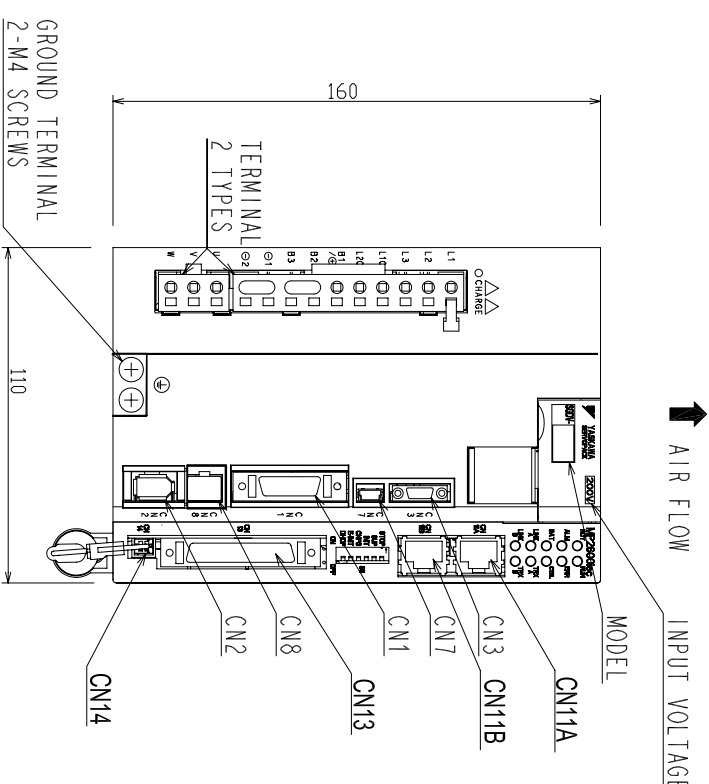
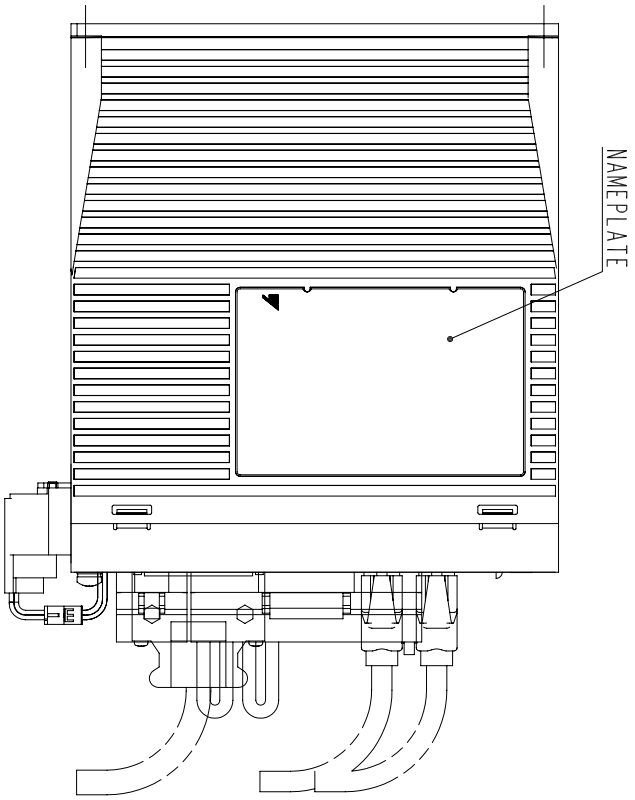
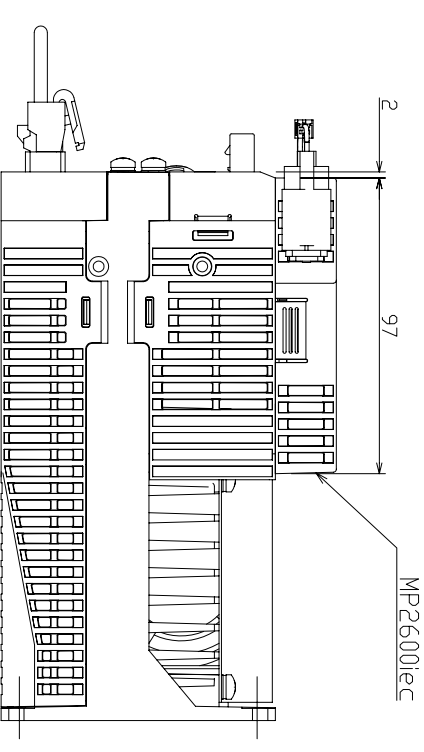
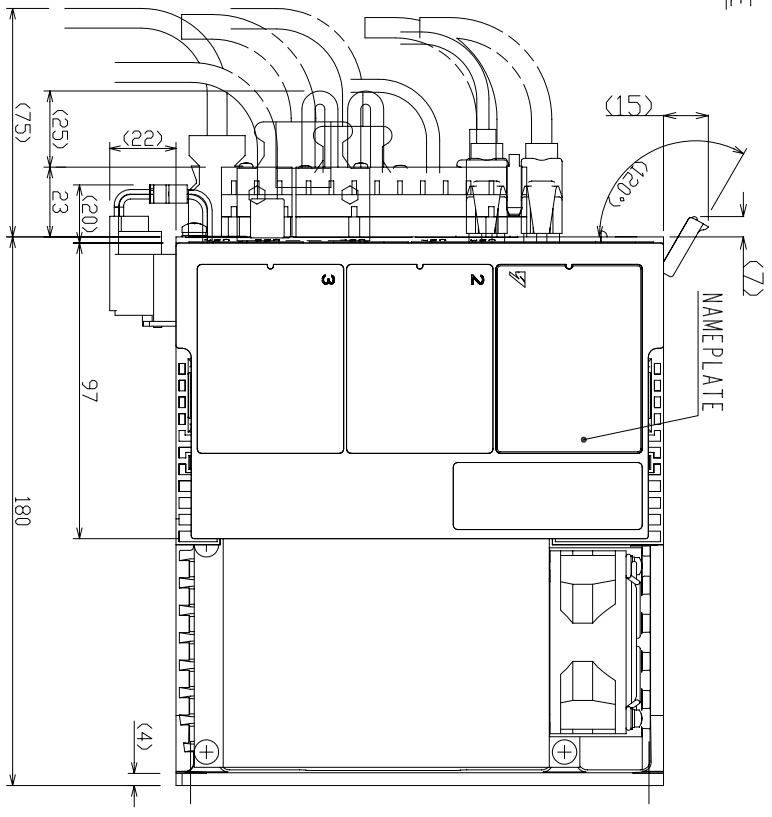


MOUNTING HOLE DIAGRAM



AIR FLOW



(NOTE 1) Refer to UDE00303 for the outline drawing of the MP2600iec option unit.

APPROX. MASS: 2.7kg

REV.	DESCRIPTION	EC #	DRAWN BY	DATE
0	INITIAL RELEASE	EAR 2010-048	A. SLIMAK	7/28/10

Models
SGDV-120AE1A000000300
SGDV-120AE5A000000300

MATERIAL:	TOLERANCES / REFERENCES:		
SPEC:	UNLESS OTHERWISE SPECIFIED	DRAWN:	A. SLIMAK
FINISH:	N/A	CHECKED:	C. KINTNER
MODELS:	*SEE CHART	TECH:	D. LEE
REF: DWG. NO.:	900-048-851 <1>, UDE00303	APPROVED:	M. MORAN
UNITS:	mm	DATE:	10/14/10
SCALE:	1:2.50	DATE:	10/14/10
THIS DOCUMENT AND INFORMATION CONTAINED HEREIN ARE CONFIDENTIAL, AND CANNOT BE COPIED OR DISCLOSED IN WHOLE OR IN PART WITHOUT THE EXPRESS WRITTEN CONSENT OF YASKAWA AMERICA INC.		DATE:	10/14/10
ORIGINAL DESIGNER:		REVISION:	0
DRAWING #:		PAGE:	1 of 1
UDE00309			